

# Installation instructions for PZ4AL-01870-00

## Under Run Protective Shield engine bay

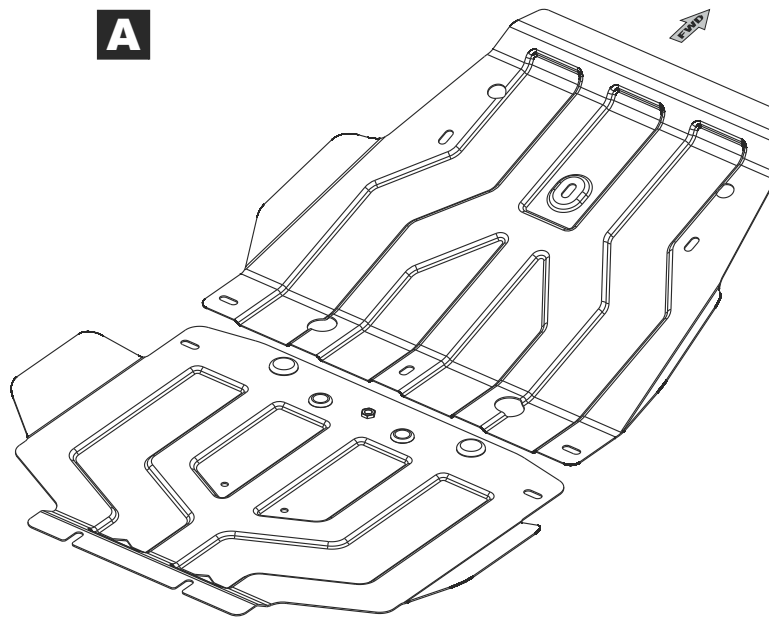
### LEXUS LX 570

### Toyota Land Cruiser 200



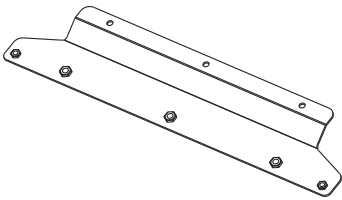
Model Year	LX 570 - 2010; LX 570 MC - 2011	LC200 - 2007	LC200MC - 2012
Vehicle Code	URJ201L-GNTGKW	UZJ200L-GNAEKW VDJ200L-GNTEZW	URJ202L-GNTEKW VDJ200L-GNTEZW
Part Number	PZ4AL-01870-00	PZ4AL-01870-00	PZ4AL-01870-00
 Weight	14.8Kg	14.8Kg	14.8Kg
 Installation Time	30min	30min	30min
Manual reference number	AIM 002 - 066	AIM 002 - 066	AIM 002 - 066

Part number: PZ4AL-01870-00



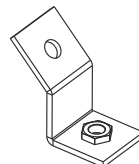
PZ4AL-01870-60

**B**



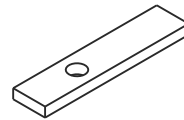
X1

**C**



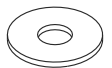
X2

**D**



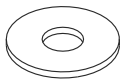
X2

**E1**



X2 Ø8

**E2**



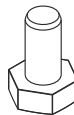
X10 Ø10

**F1**



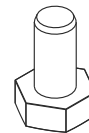
2x M 8x20

**F2**



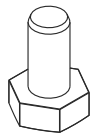
6x M 10x20

**F3**

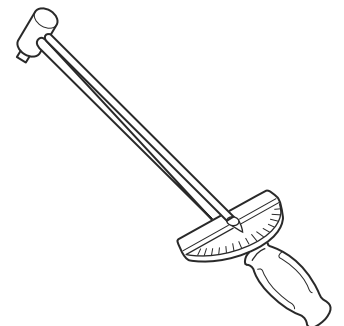
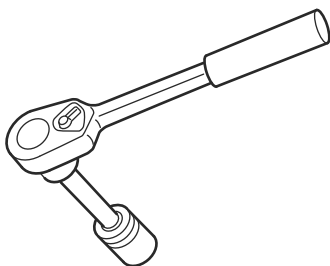


2x M 10x30

**F4**



2x M 10x1,25x30



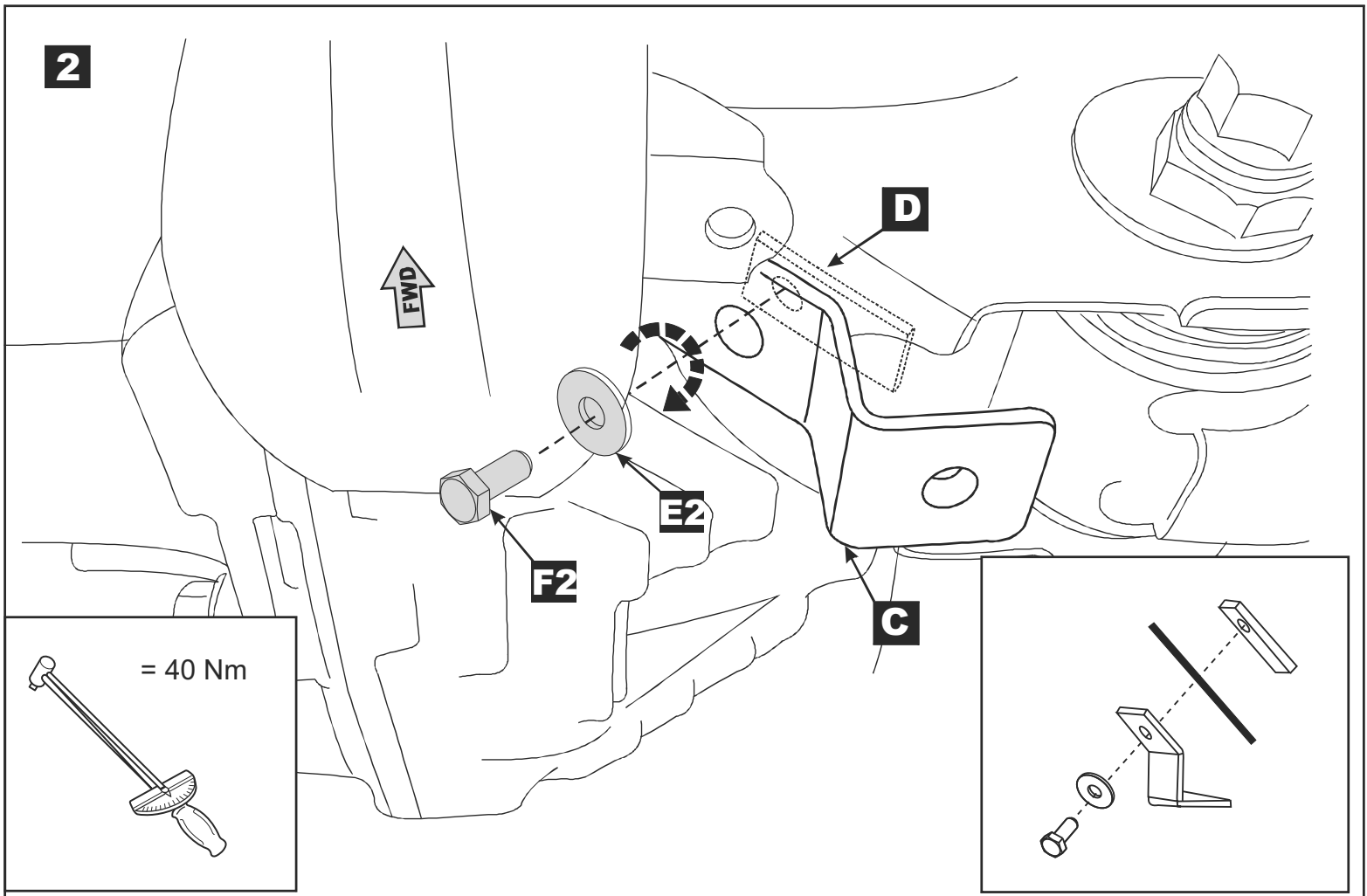
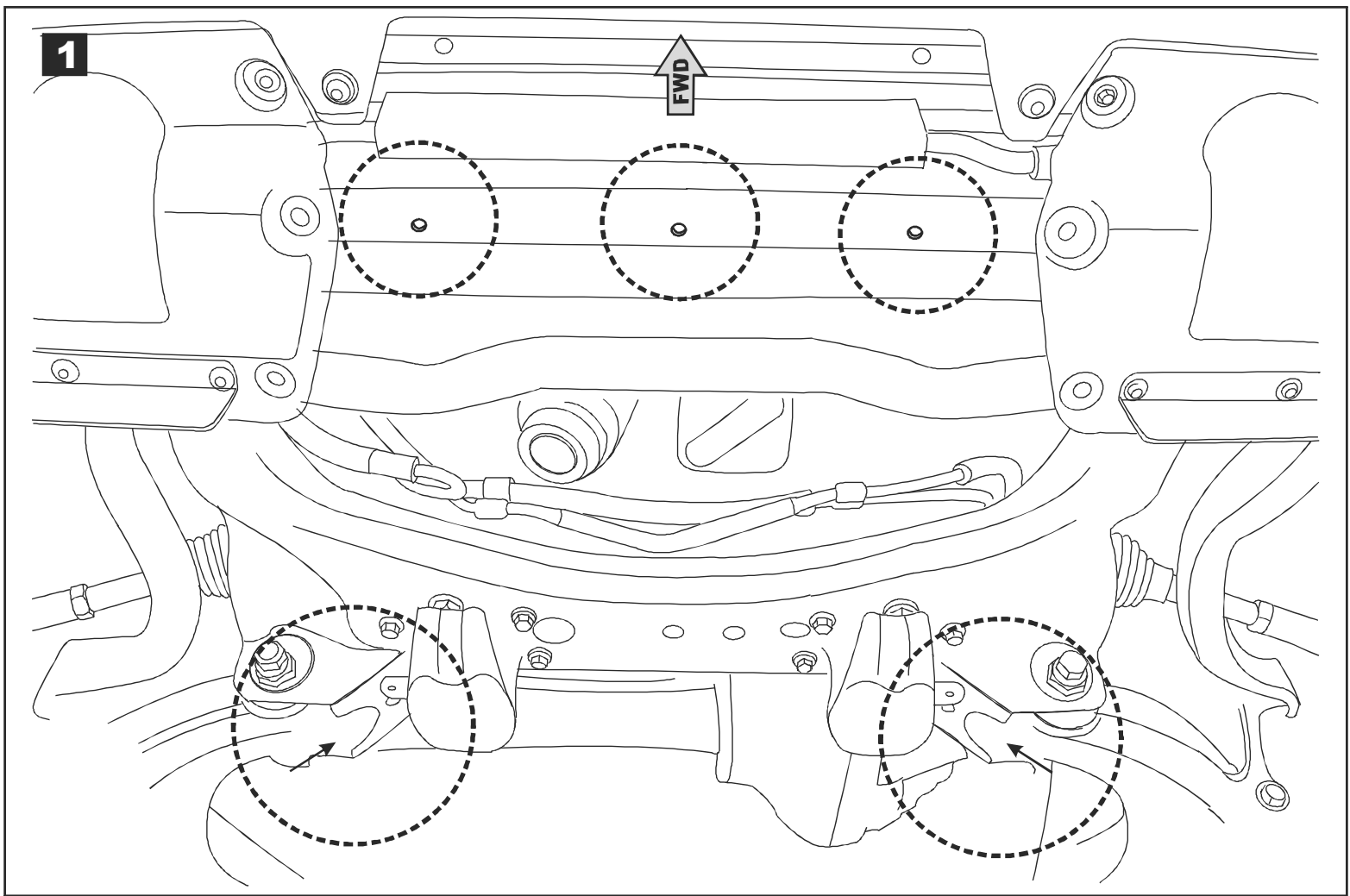
Part number:  
PZ4AL-01870-00

Issue:  
0

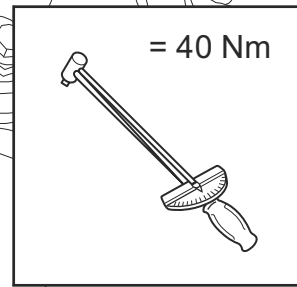
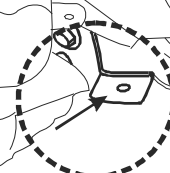
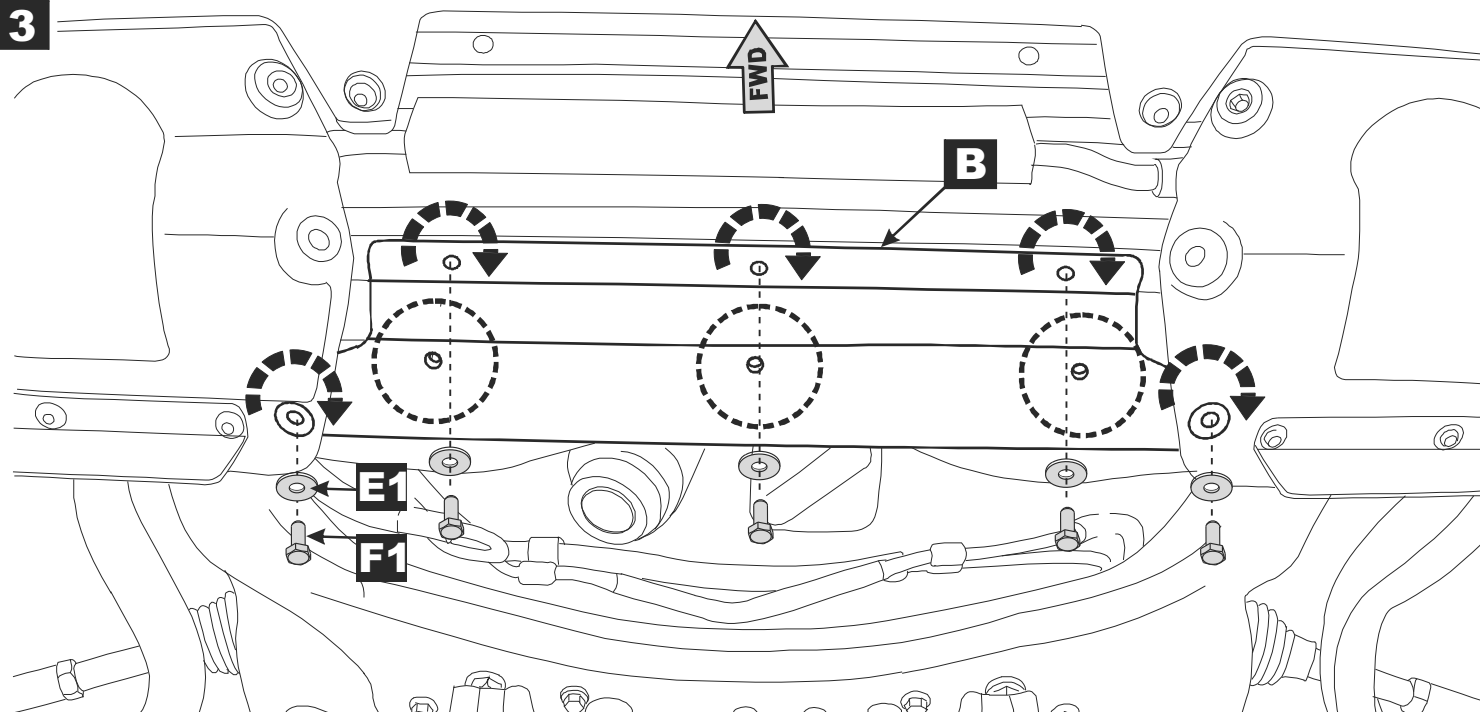
Date:  
20/08/10

Manual reference number:  
AIM 002 - 066

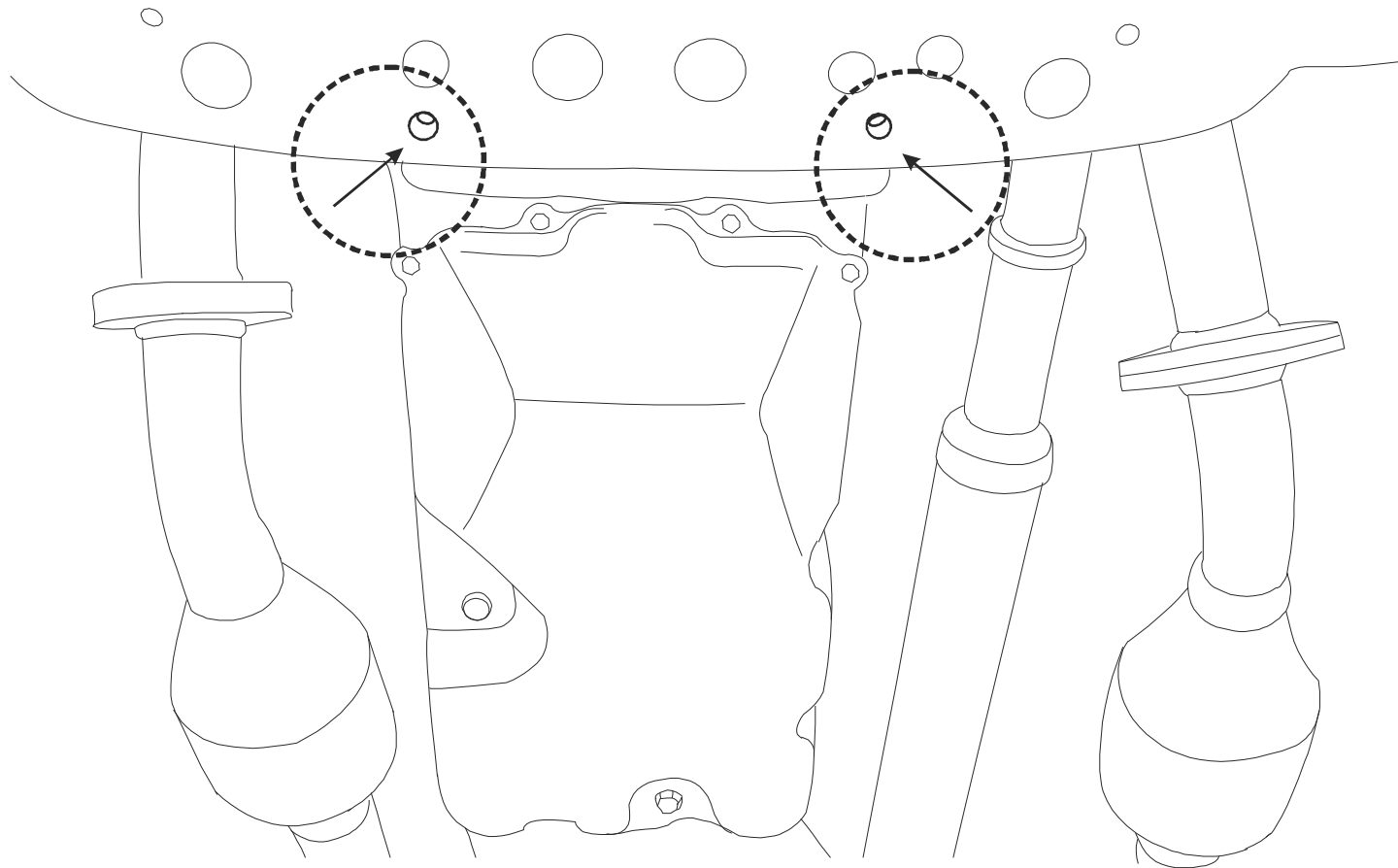
Page:  
2/5



**3**



**4**



**5**

